

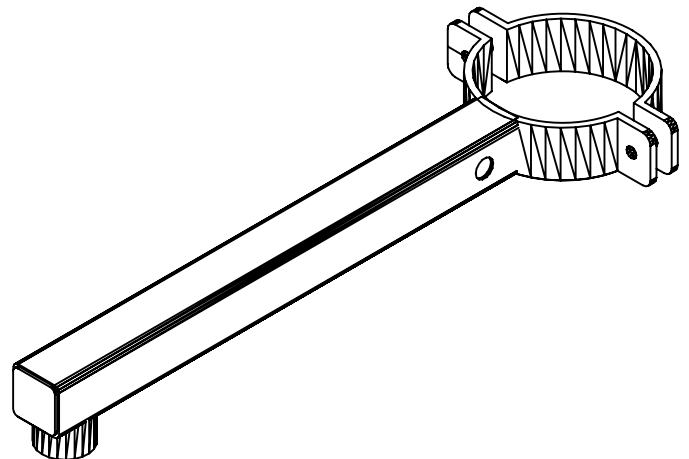
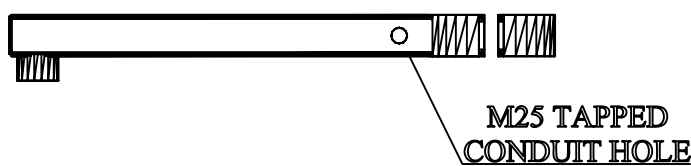
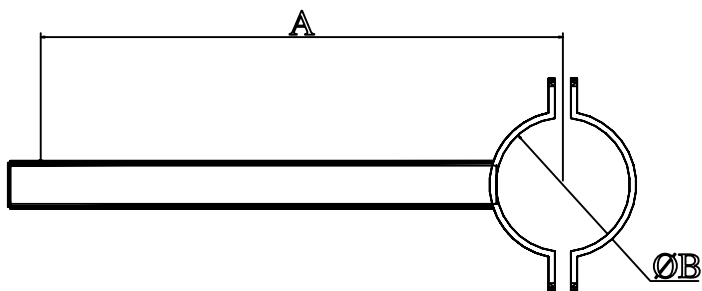
Product Code : SADPC/ (Required diameter or square section size or CTE pole part No.)
Economy dome pole clamp

Pole mount dome mounts are the perfect solution to mount dome mounted cameras to existing cctv poles, lighting poles. These are available to suit most manufacturers dome fixings.

Product

- Available to suit circular and square sections from 60 – 300mm
- Will fit to all CTE poles and towers
- Fully galvanised for maximum weather protection
- Painted to most Ral / Bs colours
- Can be supplied to suit most manufacturers dome fixings
- Lindaptor style clamp arrangement
- Supplied with bolts and nylocks as standard

PRODCUCT CODE	CAMERA ARM LENGTH	CLAMP SIZES AVAILABLE
	A	B
SADPC / 600	600	30 - 300
SADPC / 1000	1000	30 - 300



**MANY ITEMS ARE IN STOCK PLEASE CALL
FOR UP TO DATE AVAILABILTY AND PRICES**



Camera Tower Engineering Ltd
Cotton Hall Street
Darwen, Lancs.
BB3 0DW

Tel: 01254 701666 Fax: 01254 701888
Email: sales@camera-towers.com
Web: www.camera-towers.com