

Product Code : SDBWM /
 / S for standard
 / EH for Edinburgh hoop design
 / NS for Newcastle scroll design
 / MD for Modern decorative design

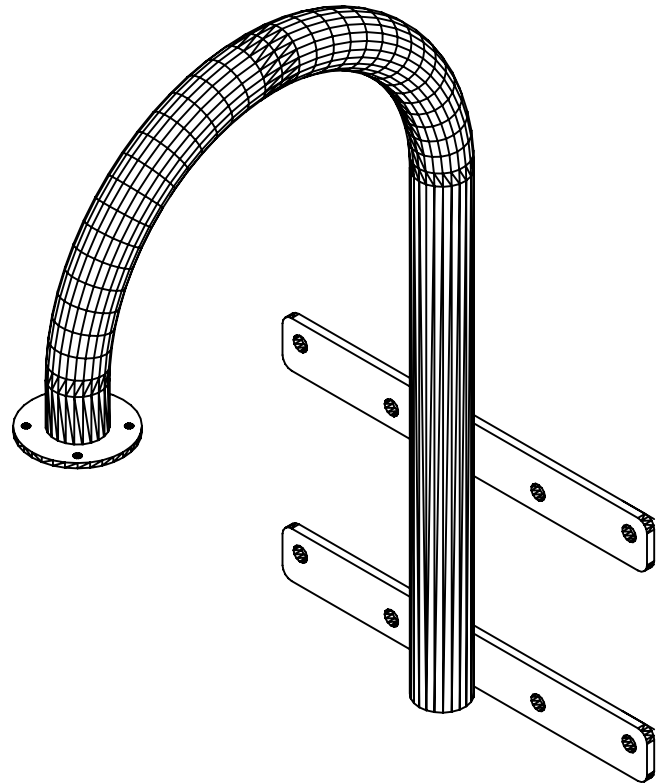
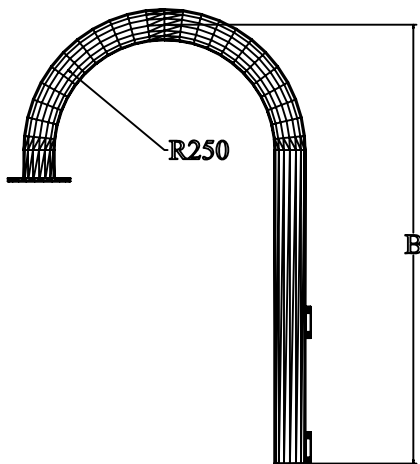
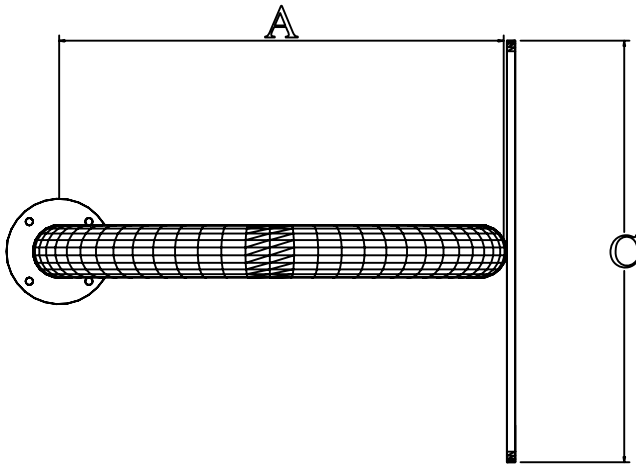
Swept dome bracket wall mount

These CTE swept dome brackets are available to suit most dome manufacturers fixings. These are manufactured with heavy duty fixings to suit brickwork, cladded buildings.

Product

- Fully galvanised for maximum weather protection
- Painted to most Ral / Bs colours if required
- Fixings available to suit most manufactures domes
- via a bolt on nylon adaptor
- Supplied with a neoprene gasket
- Other ornate and decorative designs available
- Bracket is fitted to wall via 8 No 12mm holes
- Various dome leg heights available

PRODUCT CODE	SWAN NECK OUTREACH	SWAN NECK HEIGHT	WALL STRAP LENGTH
	A	B	C
SDBWM	500	700	400



MANY ITEMS ARE IN STOCK PLEASE CALL FOR UP TO DATE AVAILABILTY AND PRICES



Camera Tower Engineering Ltd
 Cotton Hall Street
 Darwen, Lancs.
 BB3 0DW

Tel: 01254 701666 Fax: 01254 701888
 Email: sales@camera-towers.com
 Web: www.camera-towers.com