

**Product Code : SDBCM /
Swept dome bracket corner mount**

**/ S for standard
/ EH for Edinburgh hoop design
/ NS for Newcastle scroll design
/ MD for Modern decorative design**

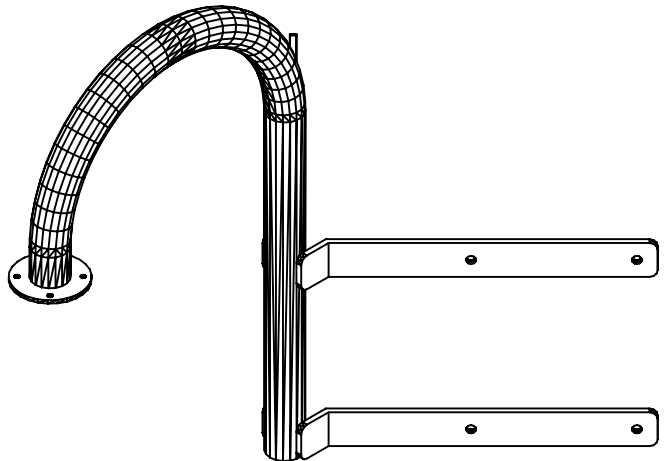
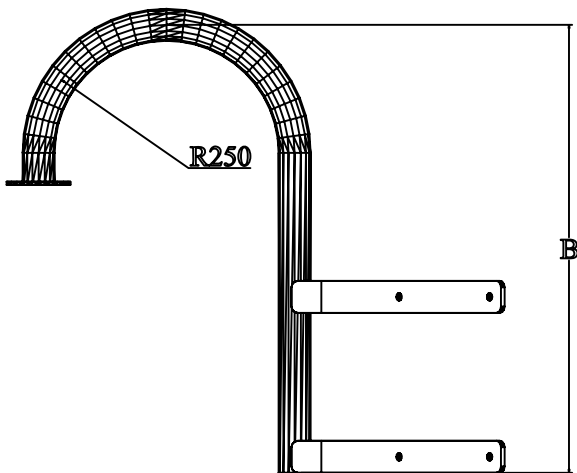
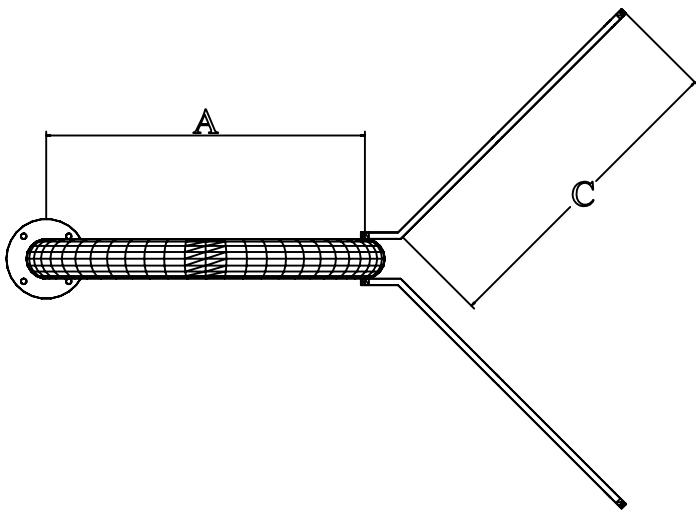
Swept dome bracket corner mount

These CTE swept dome brackets are available to suit most dome manufacturers fixings. These are manufactured with heavy duty fixings to suit brickwork, cladded buildings.

Product

- Fully galvanised for maximum weather protection
- Painted to most Ral / Bs colours if required
- Fixings available to suit most manufactures domes
- via a nylon adaptor
- Supplied with a neoprene gasket
- Other ornate and decorative design available
- Bracket is fitted to wall via 8 No 12mm holes
- Various dome leg heights available

PRODUCT CODE	SWAN NECK OUTREACH	SWAN NECK HEIGHT	CORNER STRAP LENGTH
	A	B	C
SDBCM	500	700	400



**MANY ITEMS ARE IN STOCK PLEASE CALL
FOR UP TO DATE AVAILABILTY AND PRICES**



Camera Tower Engineering Ltd
Cotton Hall Street
Darwen, Lancs.
BB3 0DW

Tel: 01254 701666 Fax: 01254 701888
Email: sales@camera-towers.com
Web: www.camera-towers.com