

Product Code : ODPCM /
 /EH for Edinburgh hoop design
 /NS for Newcastle scroll design
 /MD for Modern decorative design

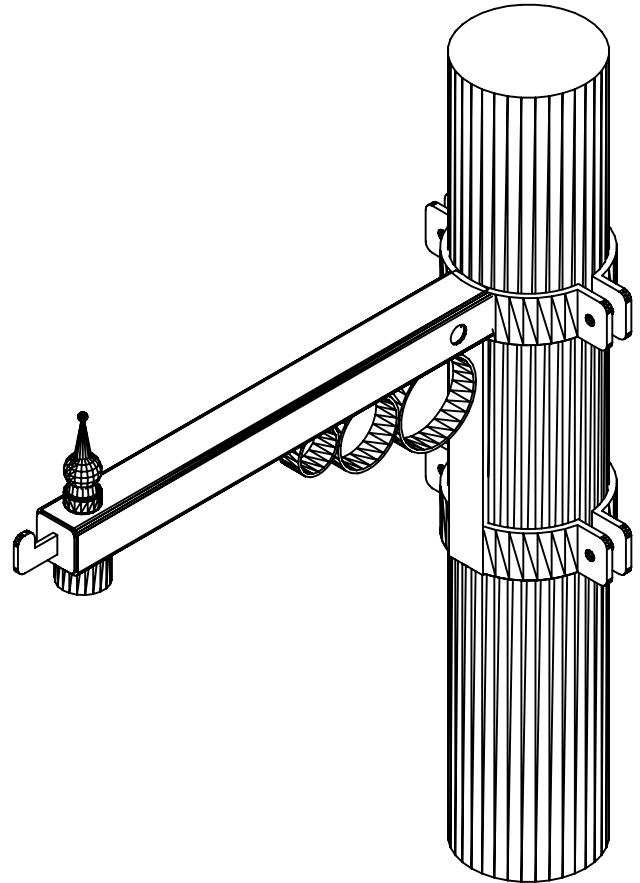
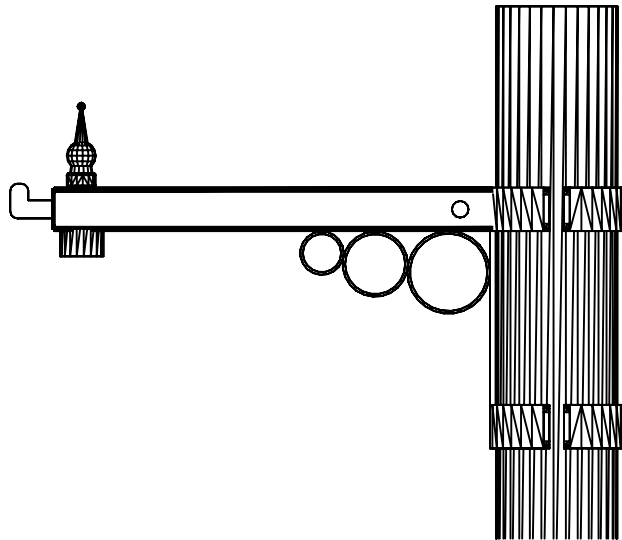
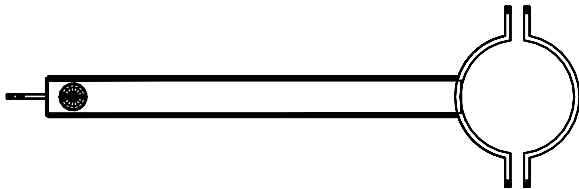
Ornate Dome pole clamp mount

The ornate dome clamp mount is manufactured as standard to three decorative designs to give our cctv poles a more prestigious touch. These brackets are available to suit most dome manufacturers dome fixings.

Product

- Brackets fully cable managed for a tamper proof installation
- Will fit to all CTE poles and towers
- Fully galvanised for maximum weather protection
- Painted to most Ral / Bs colours if required
- Fixings available to suit most manufactures domes
- Other ornate and decorative designs available
- Bracket is fitted to pole with a lindaptor style fixing
-

PRODCUCT CODE	CAMERA ARM LENGTH	CLAMP SIZES AVAILABLE
	A	B
ODPCM / EH	610mm	76 / 89 / 114 / 139 / 168 / 193 / 219



**MANY ITEMS ARE IN STOCK PLEASE CALL
 FOR UP TO DATE AVAILABILTY AND PRICES**



Camera Tower Engineering Ltd
 Cotton Hall Street
 Darwen, Lancs.
 BB3 0DW

Tel: 01254 701666 Fax: 01254 701888
 Email: sales@camera-towers.com
 Web: www.camera-towers.com