

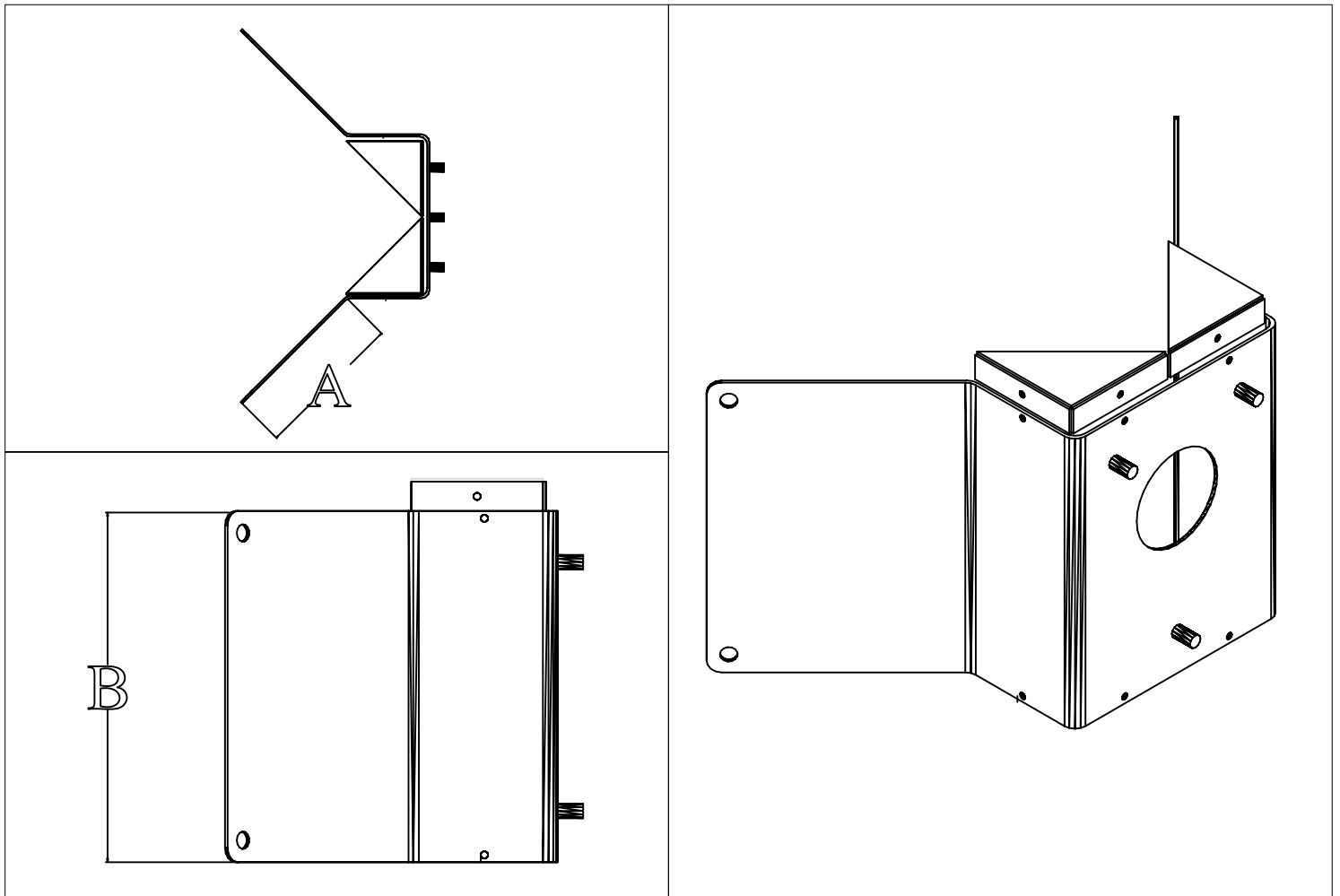
**Product Code : CMA
Corner Mount adaptor**

Corner mount adaptor converts out light duty wall brackets to corner mounts

Product

- Fully galvanised for maximum weather protection
- Painted to most Ral / Bs colours if required
- Supplied with pre welded bolts and nylocks for fixing
- Sleeved anchors can be supplied for fixing corner mount to brickwork

PRODCUCT CODE	CORNER	CORNER
	STRAP LENGTH A	STRAP HEIGHT B
CHB	180	240



**MANY ITEMS ARE IN STOCK PLEASE CALL
FOR UP TO DATE AVAILABILTY AND PRICES**



Camera Tower Engineering Ltd
Cotton Hall Street
Darwen, Lancs.
BB3 0DW

Tel: 01254 701666 Fax: 01254 701888
Email: sales@camera-towers.com
Web: www.camera-towers.com