

Product Code : RMSB/ (Customer required to specify upstand and required out reach over roof.)

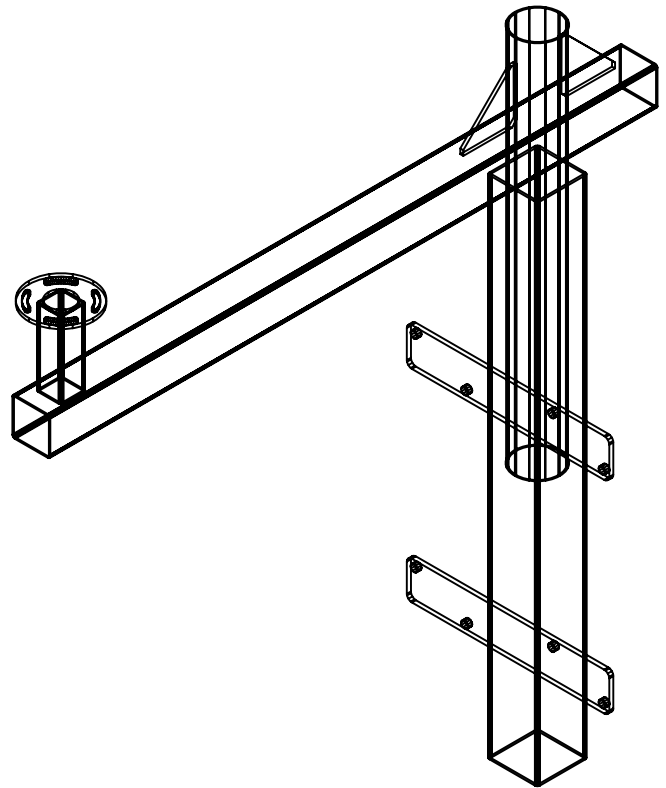
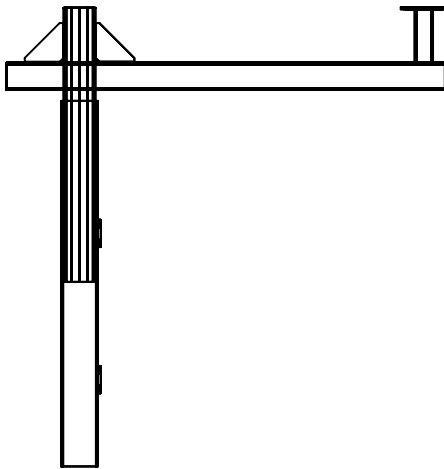
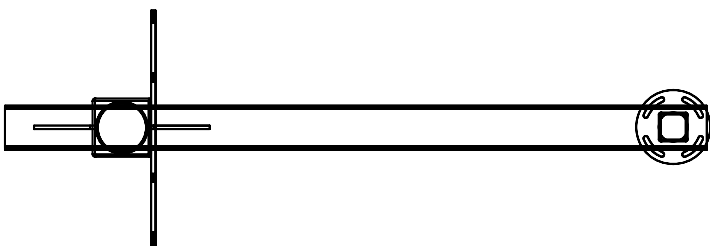
Order

- / FS free standing flag mount fixing
- / IWM Internal wall mount fixing
- / ICM Internal corner wall mount fixing

The CTE RMSB roof mount swing brackets allows cameras whether fixed, dome or ptz to be mounted to view over a roofline. These are popular for football stadiums, high raise flats etc. These brackets can be fixed to internal parapet wall / corners or even flag mounted as a free standing bracket. Manufactured as standard with a pivoted arm that rotates to service cameras on roof top.

Product

- Manufactured fully galvanised
- Manufactured with required upstand and bracket outreach as a custom
- Available for fixed, dome and ptz installations
- Can be painted to required ral / bs colour
- Wall, corner and flag mount free standing types available



MANY ITEMS ARE IN STOCK PLEASE CALL FOR UP TO DATE AVAILABILTY AND PRICES



Camera Tower Engineering Ltd
Cotton Hall Street
Darwen, Lancs.
BB3 0DW

Tel: 01254 701666 Fax: 01254 701888
Email: sales@camera-towers.com
Web: www.camera-towers.com