

**Product Code : WMBPTZ**

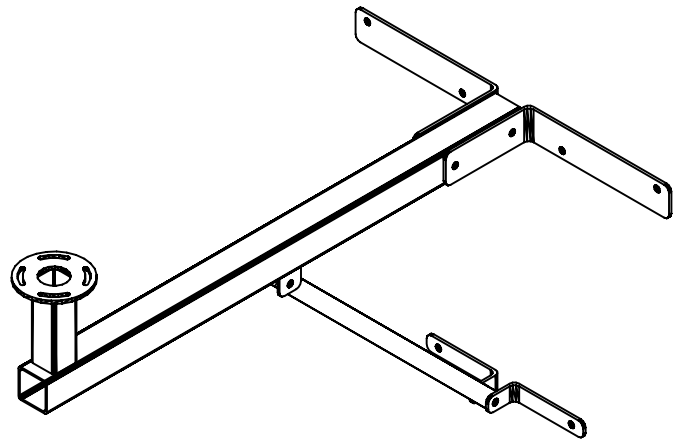
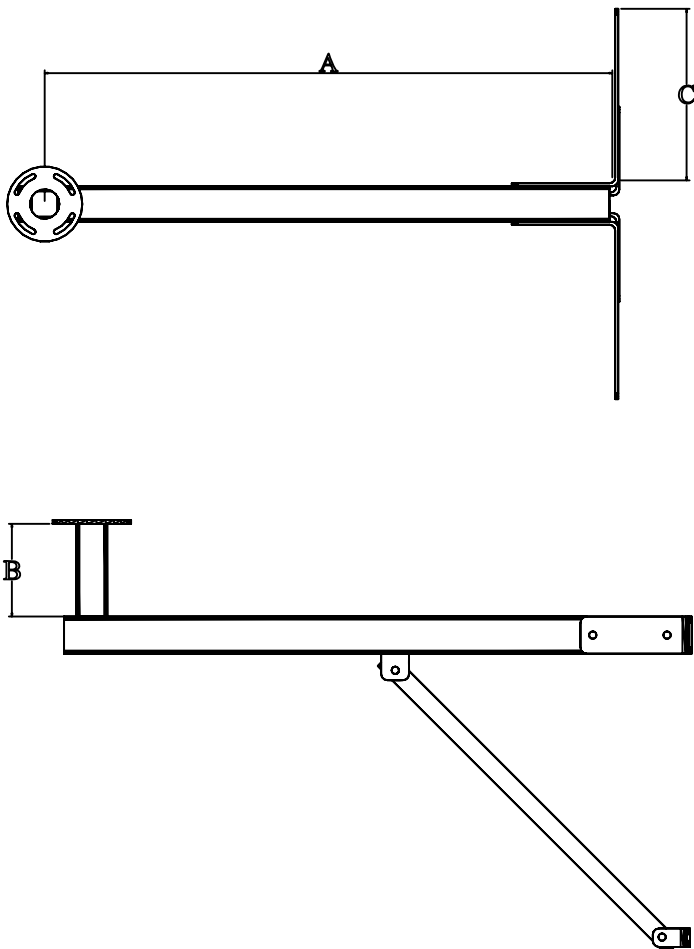
**Wall mount bracket ptz**

The CTE wall mount ptz bracket is fitted with a standard 101.6 pcd fixing. The bracket is manufactured as standard in a heavy duty construction with a lower support arm for maximum camera mounting rigidity.

**Product**

- Fully galvanised for maximum weather protection
- Painted to most Ral / Bs colours if required
- Ornate versions available
- Custom outreach lengths available
- Bracket is fitted to wall via 6 No 14mm holes

PRODUCT CODE	CAMERA ARMLENGTH A	UPSTANDS AVAILABLE B	WALL STRAP C
WMBPTZ/600	600	150/300/500	300
WMBPTZ/1000	1000	150/300/500	300



**MANY ITEMS ARE IN STOCK PLEASE CALL FOR UP TO DATE AVAILABILTY AND PRICES**



Camera Tower Engineering Ltd  
Cotton Hall Street  
Darwen, Lancs.  
BB3 0DW

Tel: 01254 701666 Fax: 01254 701888  
Email: sales@camera-towers.com  
Web: www.camera-towers.com