

Product Code : FHB

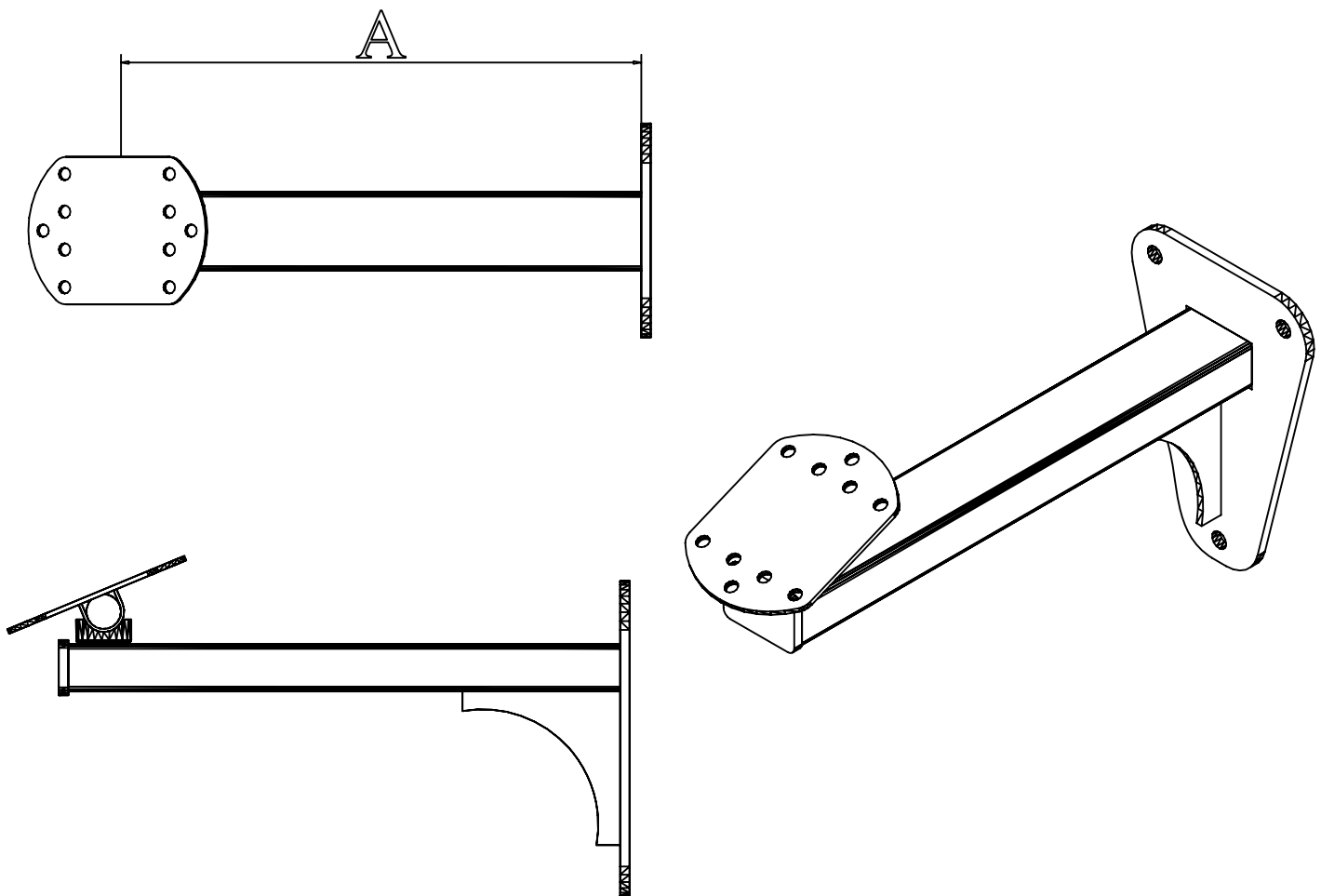
Fixed housing bracket

Fixed wall mount brackets are the perfect solution to mount static cameras externally to brickwork, cladded type buildings. Fitted with a fully rotational swivel mount to position camera were required.

Product

- Fully galvanised for maximum weather protection
- Painted to most Ral / Bs colours if required
- Fitted with fully rotational swivel mounts to position camera housing were required.
- Customised outreach lengths available
- Sleeved anchors can be supplied for wall fixing
- CMA corner mount adaptors convert this bracket to corner mount

PRODCUCT CODE	CAMERA ARM LENGTH A
FHB / 350	350
FHB / 600	600



**MANY ITEMS ARE IN STOCK PLEASE CALL
FOR UP TO DATE AVAILIBTY AND PRICES**



Camera Tower Engineering Ltd
Cotton Hall Street
Darwen, Lancs.
BB3 0DW

Tel: 01254 701666 Fax: 01254 701888
Email: sales@camera-towers.com
Web: www.camera-towers.com