

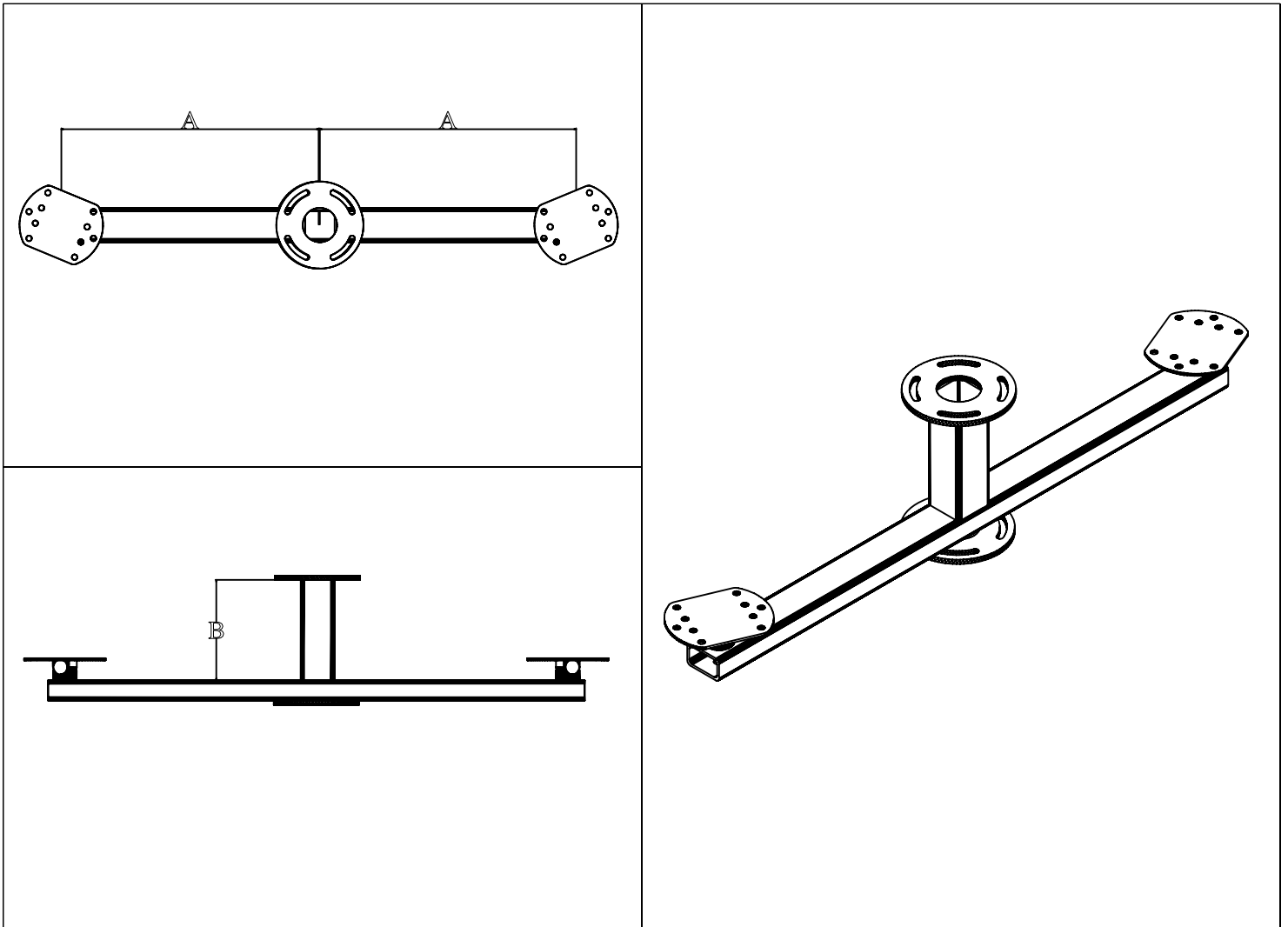
Camera adaptor to accept 2 x fixed cameras / 1 x ptz camera

The ACME FCA2/PTZ bracket allows 2 x fixed cameras and 1 No ptz camera to be mounted to all our pole / tower range. Bracket fitted with 2 No. fully rotational swivel mounts to achieve the best camera position. (other uses) The standard 101.6 ptz fixing can be used to mount a dome swan neck type mount and the swivel bracket can be removed to fit lights.

Product

- Brackets fully cable managed for a tamper proof installation
- Will fit to all ACME poles and towers
- Fully galvanised for maximum weather protection
- Painted to most Ral / Bs colours
- Fully rotational swivel mounts to for camera positioning
- Hole centres on mounting plate to suit most housings
- Bracket is fitted to pole by standard 101.6 pcd fixing

PRODCUCT CODE	CAMERA	UPSTANDS
	ARM LENGTH A	AVAILABLE B
FCA2/PTZ1	375mm	150 / 300 / 500



MANUFACTURING STANDARDS

GENERAL STEELWORK: BS 1449:1991, BS 1387:1985 BS EN 10025:1993	STRUCTURAL STEELWORK: BS EN 10210-1:1994 BS EN 10210-2:1997	WELDING PROCEDURES: COMPLY WITH BS 5135:1984	DESIGN WIND LOADING: IN ACCORDANCE WITH CP3 CHAPTER V PT 2 & BS 6399 PT 2:1997
	HOT DIPPED GALVANISED: BS EN ISO 1461:1999	FASTENERS: GRADE 8.8 BS 3692:2001 BS 4190:2001 DIN931, DIN934	PAINT FINISHES: BS 4800 & RAL COLOUR RANGE