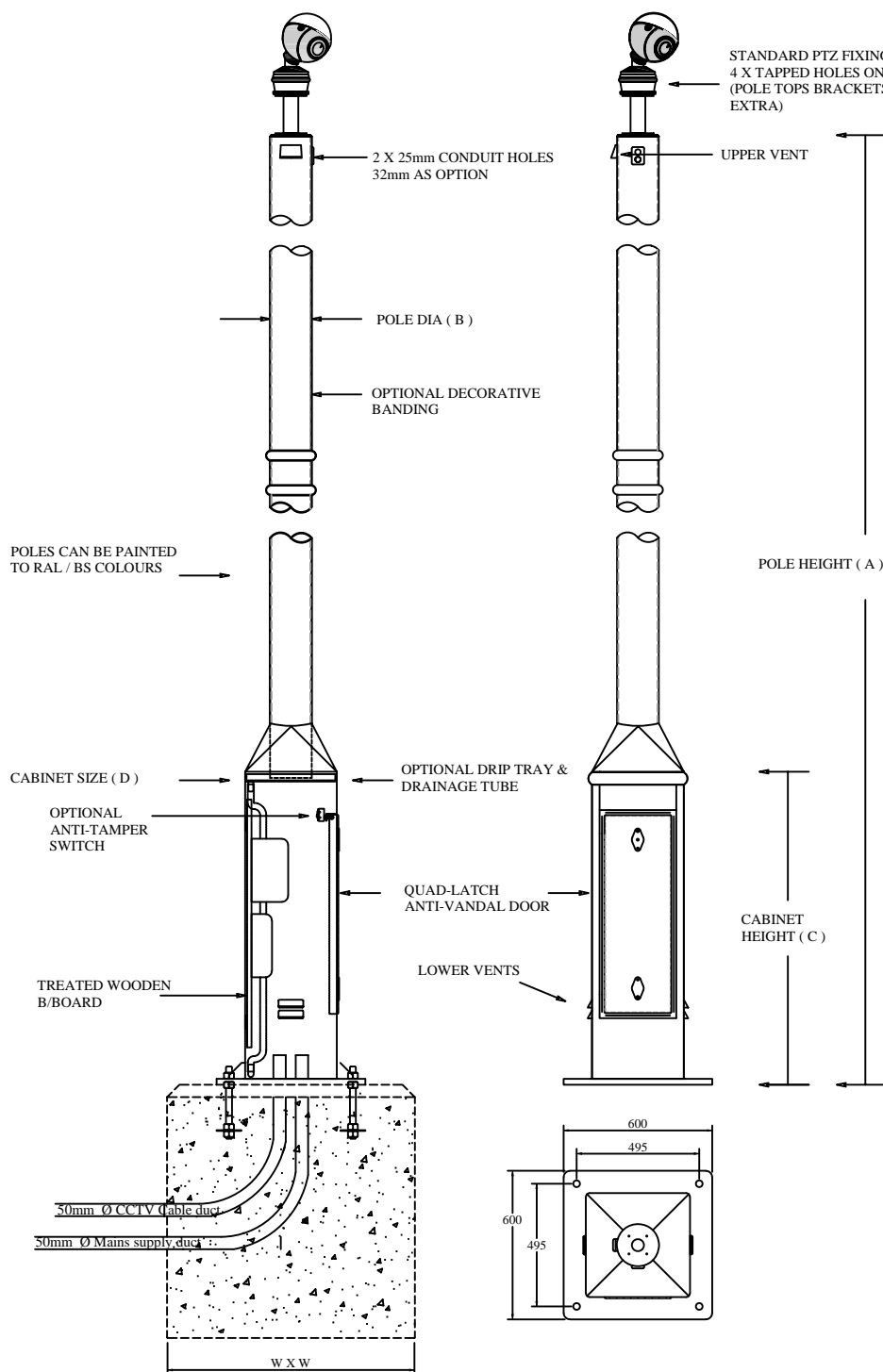


# FCBP 420



## MANUFACTURING STANDARDS:

Structural Steelwork:  
BS EN 10210-1:1994, BS EN 10210-2:1997

General Steelwork:  
BS 1449:1991, BS 1387:1985, BS EN 10025:1993

Welding Procedures:  
Comply with BS 5135:1984

Hot Dipped Galvanized:  
BS EN 729:1971, BS EN ISO 1461:1999

Fasteners:  
Grade 8.8 BS3692:2001, BS 4190:2001,  
DIN 931, DIN 934

Design Wind Loadings:  
Based on CP3 Chapter V Pt 2 (1972) &  
BS 6399 Pt 2 (1997)

Paint Finishes:  
BS 4800 & RAL colour range

Grade C35 Concrete recommended

PRODUCT CODE	HEIGHT MTR	POLE DIA	CABINET HEIGHT	CABINET SIZE	BASE PLATE THICKNESS	DOOR APPERTURE DIMENSION	WEIGHT KGS
	A	B	C	D			
CCP3	3	168	1400	420sq	12	900 (h) X 300 (W)	175
CCP4	4	168	1400	420sq	12	900 (h) X 300 (W)	200
CCP5	5	168	1400	420sq	12	900 (h) X 300 (W)	225
CCP6	6	168	1400	420sq	12	900 (h) X 300 (W)	250
CCP7	7	168	1400	420sq	15	900 (h) X 300 (W)	275
CCP8	8	168	1400	420sq	15	900 (h) X 300 (W)	300
CCP9	9	219	1400	420sq	15	900 (h) X 300 (W)	400
CCP10	10	219	1400	420sq	20	900 (h) X 300 (W)	435
CCP11	11	219	1400	420sq	20	900 (h) X 300 (W)	470
CCP12	12	219	1400	420sq	20	900 (h) X 300 (W)	505

All dimensions in the above table are in mm unless otherwise stated.

DIAGRAM 1:  
Template assembled

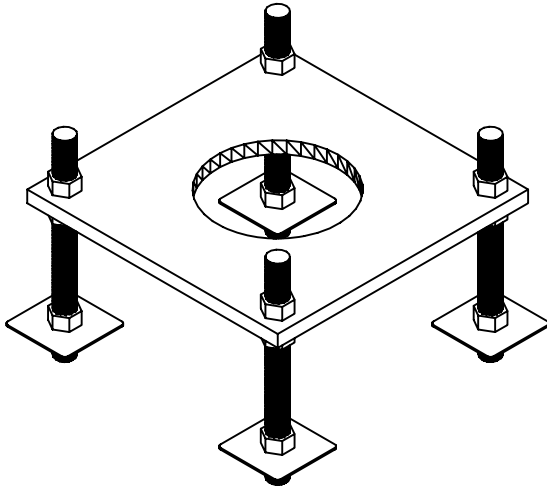
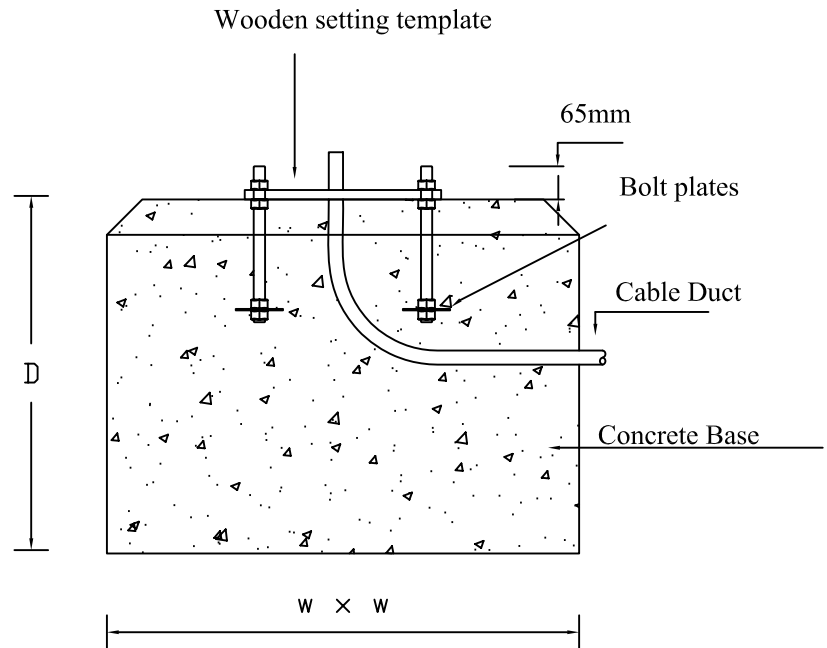


DIAGRAM 2:  
Foundation cross section



### PRODUCT CODE: FCBP FOUNDATION DETAILS

The below recommended foundation details are typical and some site conditions may require increased concrete base sizes. A minimum soil bearing of 75 n/m sq is assumed. We recommend pressures below the minimum are assessed by a structural engineer.

Product Code	Height	Base Area (W x W)	Depth	Concrete Vol M <sup>3</sup>
FCBP3	3 mtr	1000 x 1000	500	0.5
FCBP4	4 mtr	1000 x 1000	750	0.75
FCBP5	5 mtr	1000 x 1000	750	0.75
FCBP6	6 mtr	1000 x 1000	1000	1
FCBP7	7 mtr	1200 x 1200	1000	1.44
FCBP8	8 mtr	1300 x 1300	1000	1.69
FCBP9	9 mtr	1400 x 1300	1000	1.96
FCBP10	10 mtr	1500 x 1500	1000	2.25
FCBP11	11 mtr	1700 x 1700	1200	3.46
FCBP12	12 mtr	1750 x 1750	1200	3.67

1. Excavate hole as per recommended area and depth.
2. Assemble root base as shown in diagram 1 ensuring that it is level and that four studs protrude at 65mm above base of wooden setting template.
3. Ensure ducting is in place we recommend that a minimum of 150mm extrudes from ground level, if required this can be trimmed back once concrete is set.
4. Pour concrete ensuring that it is a mix of C35 to table 6 BS8110 and then tamp down well.
5. Push wooden template and bolts into concrete and level accordingly.
6. When fitting the column, remove wooden template and ensure that the concrete base is in complete contact with the underside of column and torque the nuts to 230-270 Nm (175 – 200 ft.lb)
7. When the column has been fitted, protect the studs with a suitable protective coating. Denzo tape or similar is recommended.
8. After re-instatement it is essential that a load bearing grout is used to fill the void between base plate and concrete, failure to do so may cause deflection in pole. It is recommended that the poles are grouted internally to ensure water tight.

DIAGRAM 1:  
Template assembled

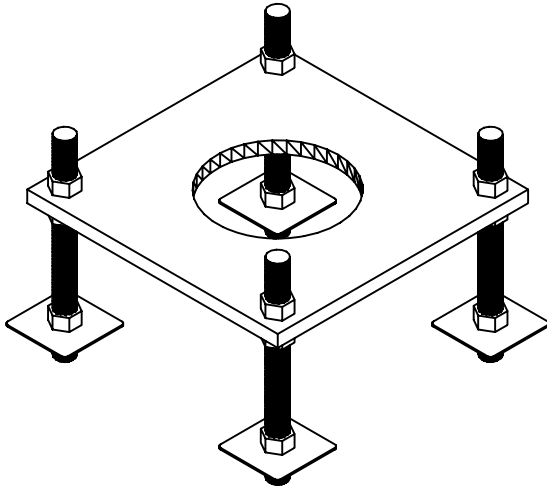
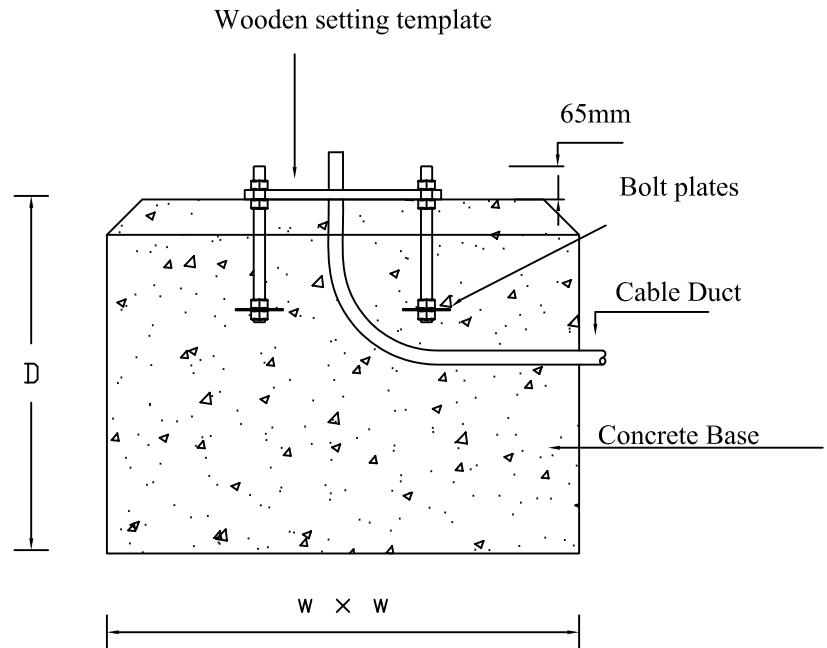


DIAGRAM 2:  
Foundation cross section



### PRODUCT CODE: FCBP FOUNDATION DETAILS

The below recommended foundation details are typical and some site conditions may require increased concrete base sizes. A minimum soil bearing of 75 n/m sq is assumed. We recommend pressures below the minimum are assessed by a structural engineer.

Product Code	Height	Base Area (W x W)	Depth	Concrete Vol M <sup>3</sup>
FCBP3	3 mtr	1000 x 1000	500	0.5
FCBP4	4 mtr	1000 x 1000	750	0.75
FCBP5	5 mtr	1000 x 1000	750	0.75
FCBP6	6 mtr	1000 x 1000	1000	1
FCBP7	7 mtr	1200 x 1200	1000	1.44
FCBP8	8 mtr	1300 x 1300	1000	1.69
FCBP9	9 mtr	1400 x 1300	1000	1.96
FCBP10	10 mtr	1500 x 1500	1000	2.25
FCBP11	11 mtr	1700 x 1700	1200	3.46
FCBP12	12 mtr	1750 x 1750	1200	3.67

1. Excavate hole as per recommended area and depth.
2. Assemble root base as shown in diagram 1 ensuring that it is level and that four studs protrude at 65mm above base of wooden setting template.
3. Ensure ducting is in place we recommend that a minimum of 150mm extrudes from ground level, if required this can be trimmed back once concrete is set.
4. Pour concrete ensuring that it is a mix of C35 to table 6 BS8110 and then tamp down well.
5. Push wooden template and bolts into concrete and level accordingly.
6. When fitting the column, remove wooden template and ensure that the concrete base is in complete contact with the underside of column and torque the nuts to 230-270 Nm (175 – 200 ft.lb)
7. When the column has been fitted, protect the studs with a suitable protective coating. Denzo tape or similar is recommended.
8. After re-instatement it is essential that a load bearing grout is used to fill the void between base plate and concrete, failure to do so may cause deflection in pole. It is recommended that the poles are grouted internally to ensure water tight.