

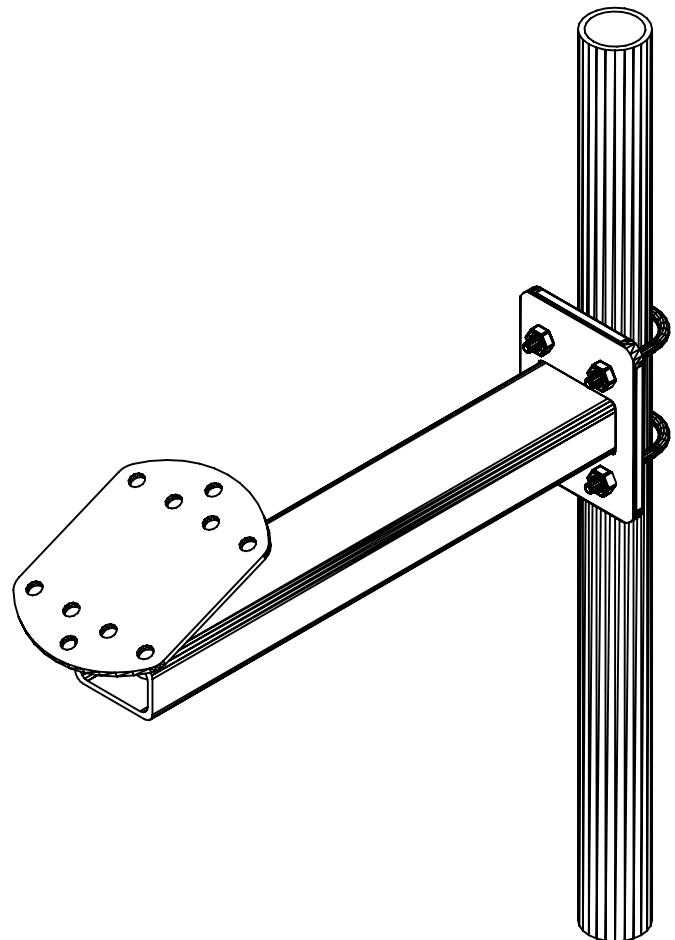
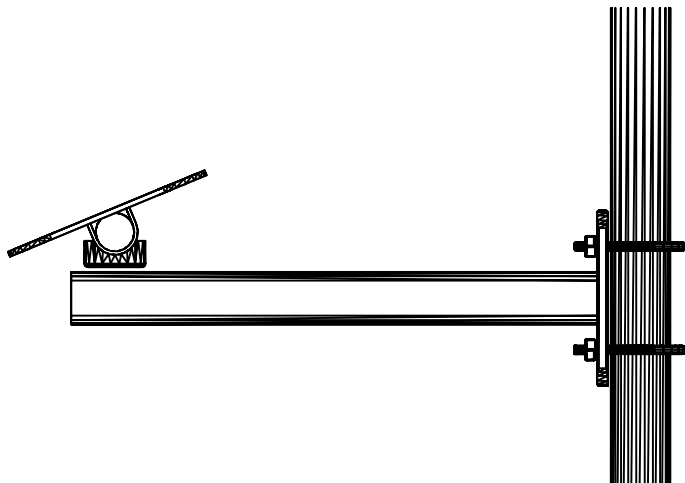
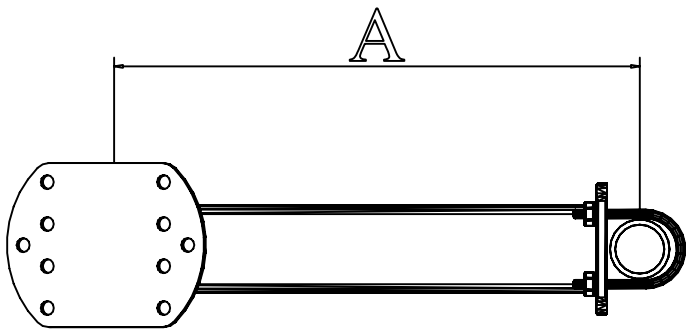
**Product Code : LTCA/
Fixed lattice tower clamp adaptor**

Lattice tower clamp adaptors are the perfect solution to mount static cameras to our lattice towers at different heights.

Product

- Will fit to all CTE LT range
- Fully galvanised for maximum weather protection
- Painted to most Ral / Bs colours
- Fitted with fully rotational swivel mounts to position camera housing were required.
- U bolt style clamp arrangement
- Supplied with bolts and nylocks as standard

PRODUCT CODE	CAMERA ARM LENGTH
LTCA	A 300



**MANY ITEMS ARE IN STOCK PLEASE CALL
FOR UP TO DATE AVAILIBTY AND PRICES**



Camera Tower Engineering Ltd
Cotton Hall Street
Darwen, Lancs.
BB3 0DW

Tel: 01254 701666 Fax: 01254 701888
Email: sales@camera-towers.com
Web: www.camera-towers.com