

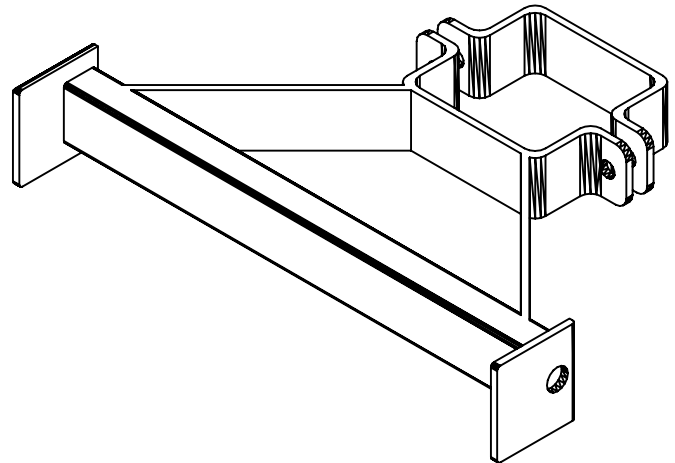
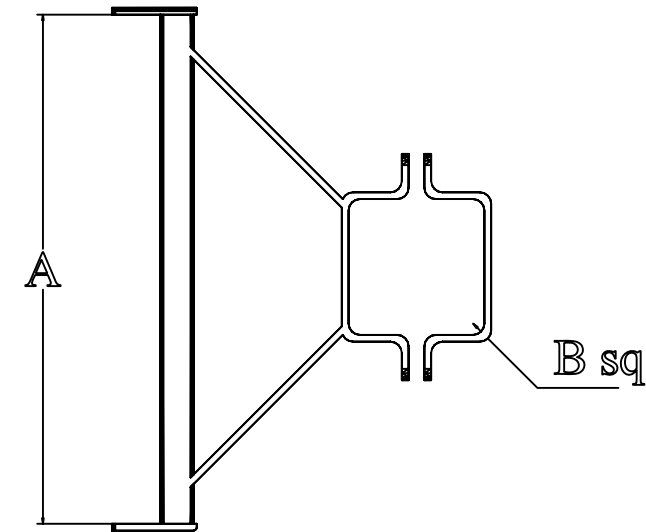
Product Code : LRS/ (Required square section size or CTE pole part No.)
Ladder rest square

Ladder rest clamp brackets allow engineers easy methods of servicing cameras.
Available bolted to columns / towers before delivery if required.

Product

- Available to suit square sections from 60 – 300mm
- Will fit to all CTE poles and towers
- Fully galvanised for maximum weather protection
- Painted to most Ral / Bs colours if required to bolt to existing site columns
- Can be manufactured and supplied for existing poles
- Lindaptor style clamp arrangement
- Supplied with bolts and nylocks as standard

PRODUCT CODE	LADDER BAR LENGTH	CLAMP SIZES AVAILABLE
	A	B
LRS	450	76 / 100 / 120 / 150



MANY ITEMS ARE IN STOCK PLEASE CALL FOR UP TO DATE AVAILABILTY AND PRICES



Camera Tower Engineering Ltd
Cotton Hall Street
Darwen, Lancs.
BB3 0DW

Tel: 01254 701666 Fax: 01254 701888
Email: sales@camera-towers.com
Web: www.camera-towers.com