

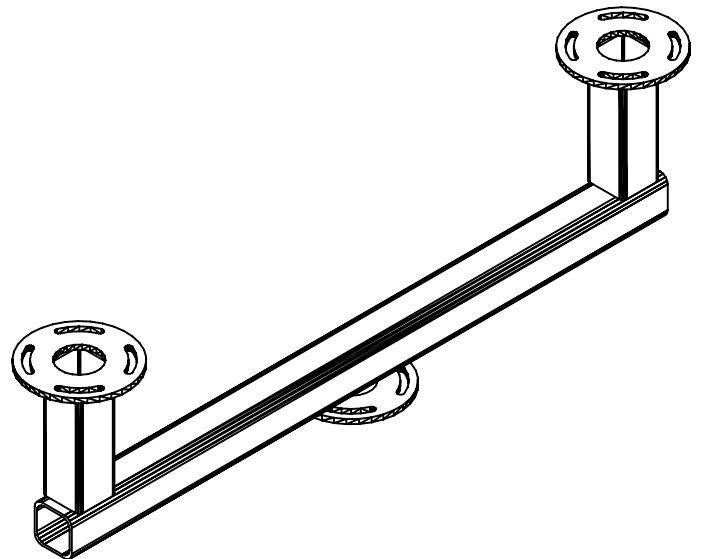
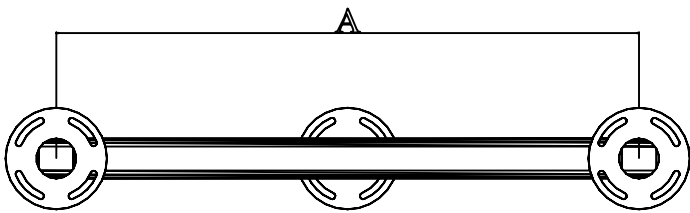
Product Code : PTZ2  
Dual PTZ adaptor

The CTE dual ptz camera adaptor range allows two number ptz cameras to be mounted to all our pole / tower range. Brackets fitted with standard 101.6 pcd fixings.

Product

- Will fit to all CTE poles and towers
- Fully galvanised for maximum weather protection
- Painted to most Ral / Bs colours if required
- Bracket is fitted to pole by standard 101.6 pcd fixing

PRODCUCT CODE	CAMERA ARM LENGTH A	UPSTAND SIZES
		AVAILABLE B
PTZ2	750	150 / 300 / 500



**MANY ITEMS ARE IN STOCK PLEASE CALL  
FOR UP TO DATE AVAILABILTY AND PRICES**



Camera Tower Engineering Ltd  
Cotton Hall Street  
Darwen, Lancs.  
BB3 0DW

Tel: 01254 701666 Fax: 01254 701888  
Email: [sales@camera-towers.com](mailto:sales@camera-towers.com)  
Web: [www.camera-towers.com](http://www.camera-towers.com)