

Product Code : PTH / (Current pole section diameter or square to slide over.)

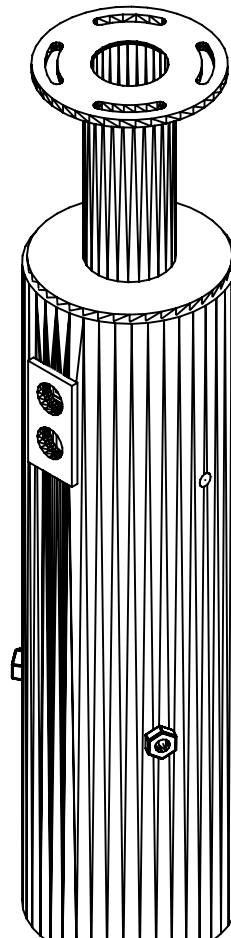
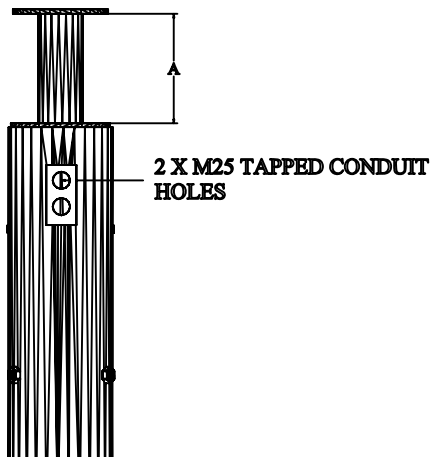
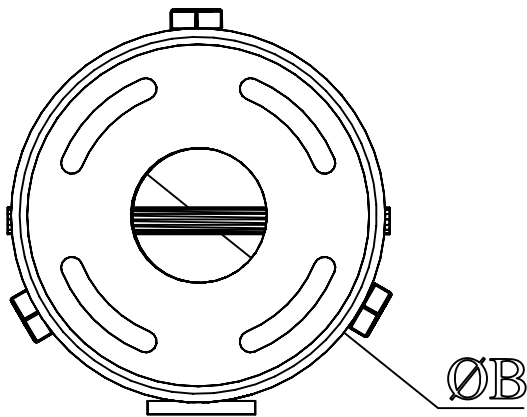
Pole top hat

Pole top hats are used to convert existing lighting poles / telegraph poles to fit a camera mount. This converts the pole to a pole top 101.6 pcd mount.

Product

- Manufactured to required specification
- Galvanised for maximum weather protection
- Secured with nip bolt fixings
- A full range of camera mounting brackets available for top hat once fitted
- Can be painted to most Ral / bs colours

PRODCUCT CODE	UPSTAND AVAILABLE	CLAMP SIZE AVAILABLE
	A	B
PTH / A / B	150 / 300 / 500	60 - 300



MANY ITEMS ARE IN STOCK PLEASE CALL FOR UP TO DATE AVAILABILTY AND PRICES



Camera Tower Engineering Ltd
 Cotton Hall Street
 Darwen, Lancs.
 BB3 0DW

Tel: 01254 701666 Fax: 01254 701888
 Email: sales@camera-towers.com
 Web: www.camera-towers.com