

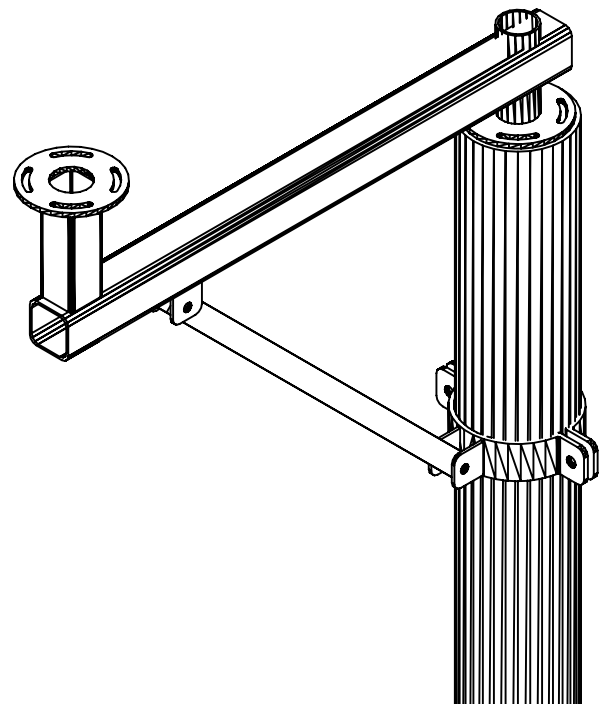
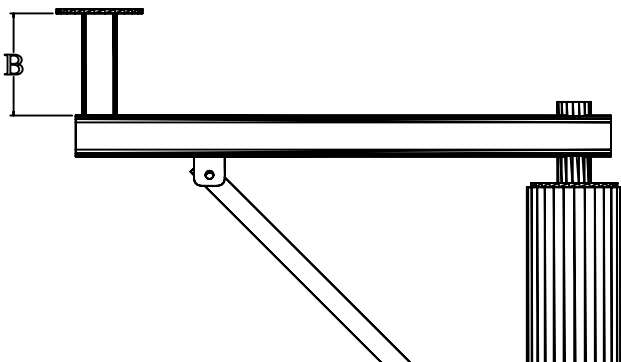
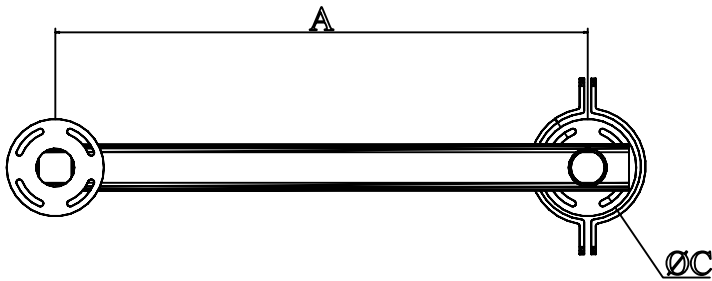
Product Code : PTBPTZ
Pole top bracket ptz

Pole top brackets are the perfect solution to mount ptz cameras on an outreach bracket. Manufactured with a lower support arm for maximum rigidity. These brackets are popular for ANPR and traffic congestion schemes.

Product

- Available to suit circular and square sections from 60 – 300mm
- Will fit to all CTE poles and towers
- Fully galvanised for maximum weather protection
- Painted to most Ral / Bs colours if required
- Brackets manufactured with larger outreach lengths as a custom
- Lindaptor style clamp arrangement
- Supplied with bolts and nylocks as standard
- Bracket fitted with standard 101.6 pcd fixing

PRODUCT CODE	CAMERA ARM LENGTH	UPSTAND SIZES AVAILABLE	
		A	B
PTBPTZ / 600	600	150 / 300 / 500	60 - 300
PTBPTZ / 1000	1000	150 / 300 / 500	60 - 600



MANY ITEMS ARE IN STOCK PLEASE CALL FOR UP TO DATE AVAILABILTY AND PRICES



Camera Tower Engineering Ltd
 Cotton Hall Street
 Darwen, Lancs.
 BB3 0DW

Tel: 01254 701666 Fax: 01254 701888
 Email: sales@camera-towers.com
 Web: www.camera-towers.com