

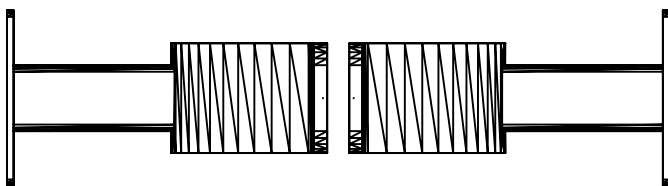
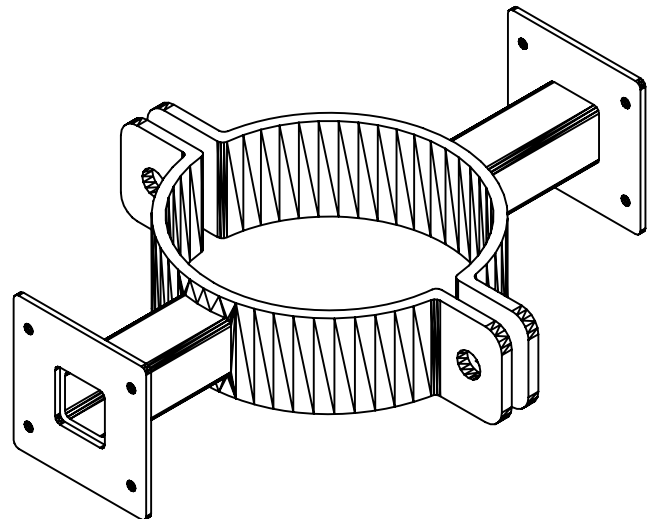
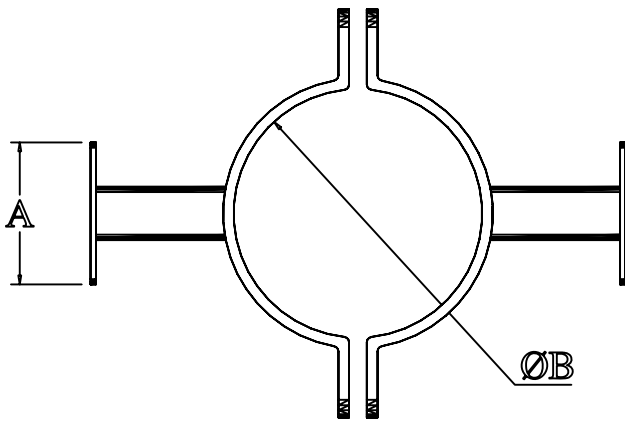
**Product Code : PCRW2/ (Required diameter or square section size or CTE pole part No.)
Pole clamp redwall dual**

Pole clamp redwall brackets allow fast easy methods of fixing detectors to the CTE pole and tower range. These brackets also allow cages to be fitted over detectors for added security.

Product

- Available to suit circular and square sections from 30 – 300mm
- Will fit to all CTE poles and towers
- Fully galvanised for maximum weather protection
- Painted to most Ral / Bs colours if required
- Brackets manufactured for other detector types
- Lindaptor style clamp arrangement
- Supplied with bolts and nylocks as standard

PRODUCT CODE	PLATE SIZE	HOLE CENTRES	CLAMP SIZES AVAILABLE
PCRW2	75sq	51 X 52	B 30 - 300



MANY ITEMS ARE IN STOCK PLEASE CALL FOR UP TO DATE AVAILABILTY AND PRICES



Camera Tower Engineering Ltd
Cotton Hall Street
Darwen, Lancs.
BB3 0DW

Tel: 01254 701666 Fax: 01254 701888
Email: sales@camera-towers.com
Web: www.camera-towers.com