

Product Code : PCBPTZ2/ (Required diameter or square section size or CTE pole part No.)

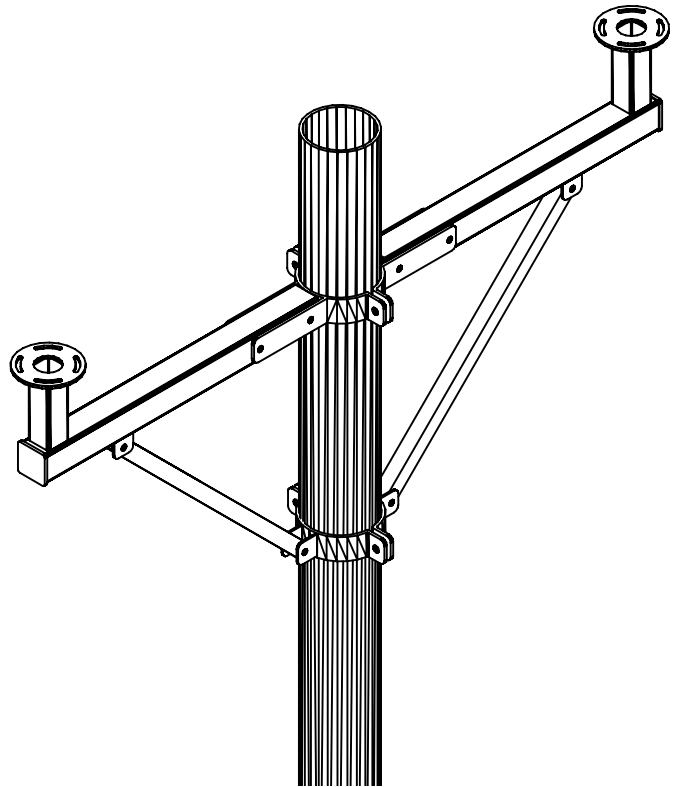
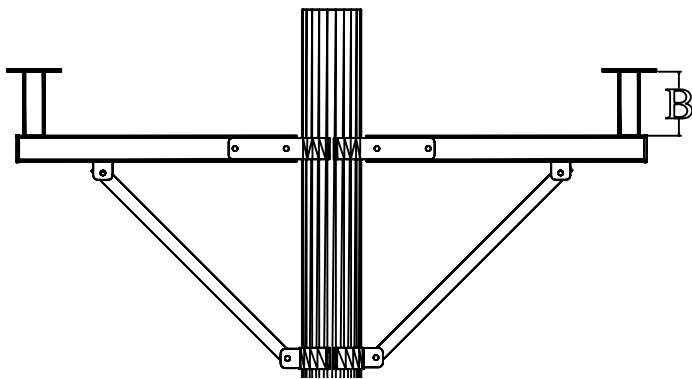
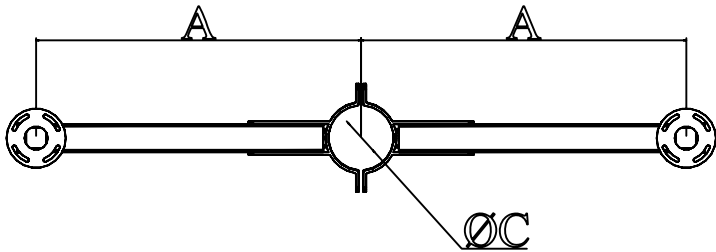
Pole clamp bracket ptz dual

Pole clamp ptz brackets are the perfect solution to mount ptz cameras to existing cctv poles, lighting poles or were more than one camera is required per pole at different heights.

Product

- Available to suit circular and square sections from 60 – 300mm
- Will fit to all CTE poles and towers
- Fully galvanised for maximum weather protection
- Painted to most Ral / Bs colours if required
- Brackets manufactured with large outreach lengths as a custom
- Lindaptor style clamp arrangement
- Supplied with bolts and nylocks as standard

PRODUCT CODE	CAMERA ARM LENGTH A	UPSTAND SIZES AVAILABLE	
		B	C
PCBPTZ2 / 600	600	150 / 300 / 500	60 - 300
PCBPTZ2 / 1000	1000	151 / 300 / 500	60 - 300



MANY ITEMS ARE IN STOCK PLEASE CALL FOR UP TO DATE AVAILABILTY AND PRICES



Camera Tower Engineering Ltd
Cotton Hall Street
Darwen, Lancs.
BB3 0DW

Tel: 01254 701666 Fax: 01254 701888
Email: sales@camera-towers.com
Web: www.camera-towers.com