

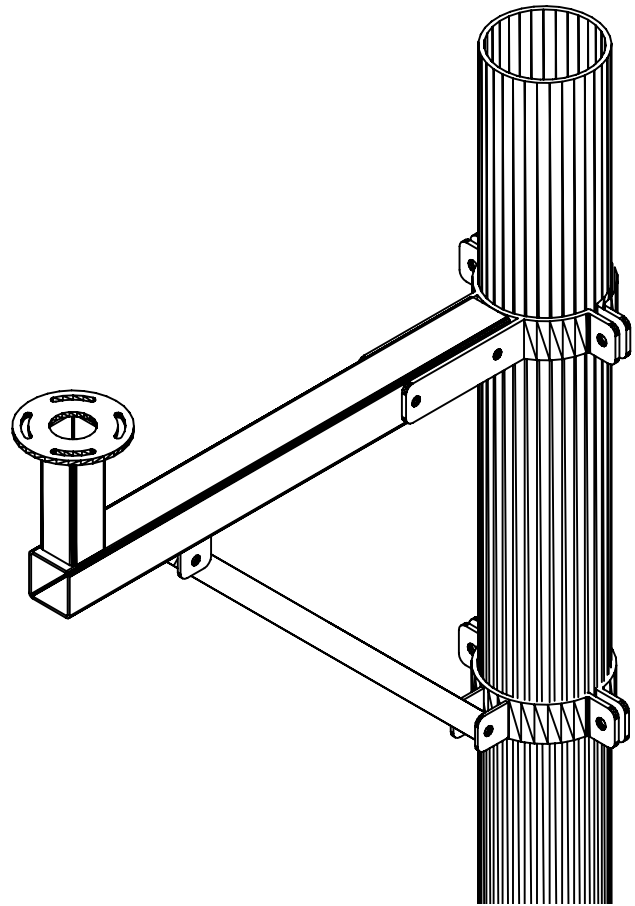
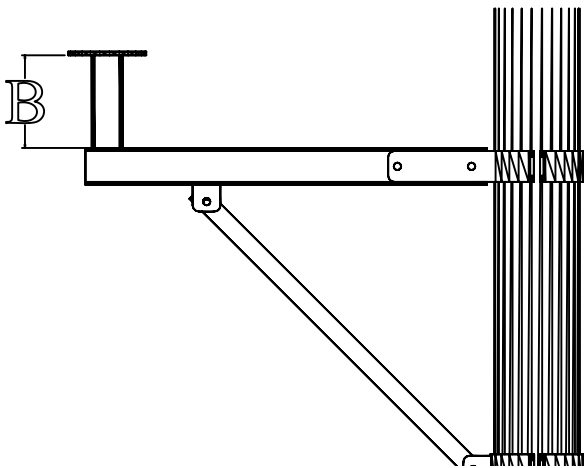
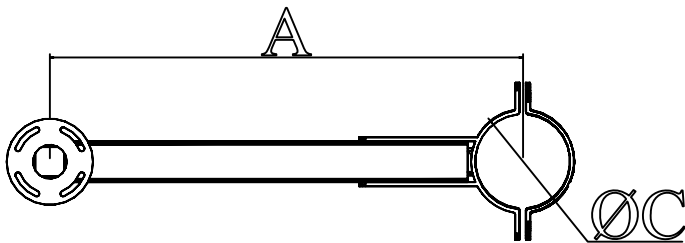
**Product Code : PCBPTZ/ ( Required diameter or square section size or CTE pole part No. )  
Pole clamp bracket ptz**

Pole clamp ptz brackets are the perfect solution to mount ptz cameras to existing cctv poles, lighting poles or were more than one camera is required per pole at different heights.

**Product**

- Available to suit circular and square sections from 60 – 300mm
- Will fit to all CTE poles and towers
- Fully galvanised for maximum weather protection
- Painted to most Ral / Bs colours if required
- Brackets manufactured with larger outreach lengths as a custom
- Lindaptor style clamp arrangement
- Supplied with bolts and nylocks as standard

PRODUCT CODE	CAMERA	UPSTANDS	CLAMP SIZES
	ARMLLENGTH	AVAILABLE	AVAILABLE
	A	B	C
PCBPTZ / 600	600	150 / 300 / 500	60 - 300
PCBPTZ / 1000	1000	151 / 300 / 500	60 - 300



**MANY ITEMS ARE IN STOCK PLEASE CALL FOR UP TO DATE AVAILABILTY AND PRICES**



Camera Tower Engineering Ltd  
Cotton Hall Street  
Darwen, Lancs.  
BB3 0DW

Tel: 01254 701666 Fax: 01254 701888  
Email: sales@camera-towers.com  
Web: www.camera-towers.com