

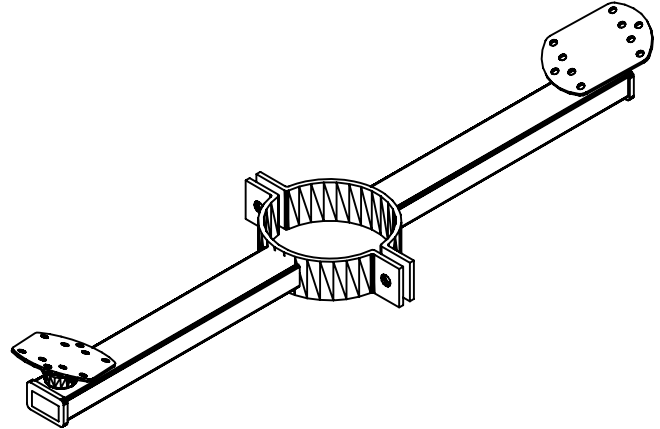
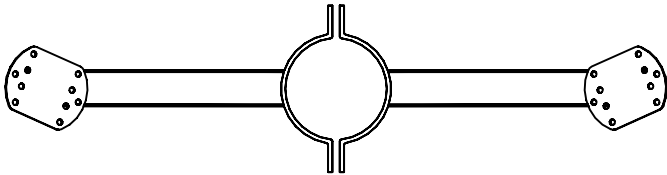
PART No.
FPCA2 (To mount 2 housing)
Fixed pole clamp adaptor

Product:

Camera Tower Engineering's 2 way fixed pole clamp adaptor FPCA2 is used as a clamp adaptor for all our pole and tower range. The bracket suits all circular sectioned poles throughout our mounting equipment range. Diametres are available from 60-300mm+. The brackets are supplied as standard with a lindaptor style pipe clamp fixing all in a galvanised finish. Two number bolts are fitted with nylocks and washers to adjust and clamp this product to structure. The swivel mount is fully adjustable to obtain the perfect camera position. The product is supplied fully galvanised for maximum weather resistance and low maintenance.

Basic Dimension:

Camera arm length 350mm, top mounting plate consists of a series of holes for 101.6 PCD fixed housings (other popular manufacturers footprints are included).



**MANY ITEMS ARE IN STOCK PLEASE CALL
FOR UP TO DATE AVAILABILTY AND PRICES**



Camera Tower Engineering Ltd
Cotton Hall Street
Darwen, Lancs.
BB3 0DW

Tel: 01254 701666 Fax: 01254 701888
Email: sales@camera-towers.com
Web: www.camera-towers.com