

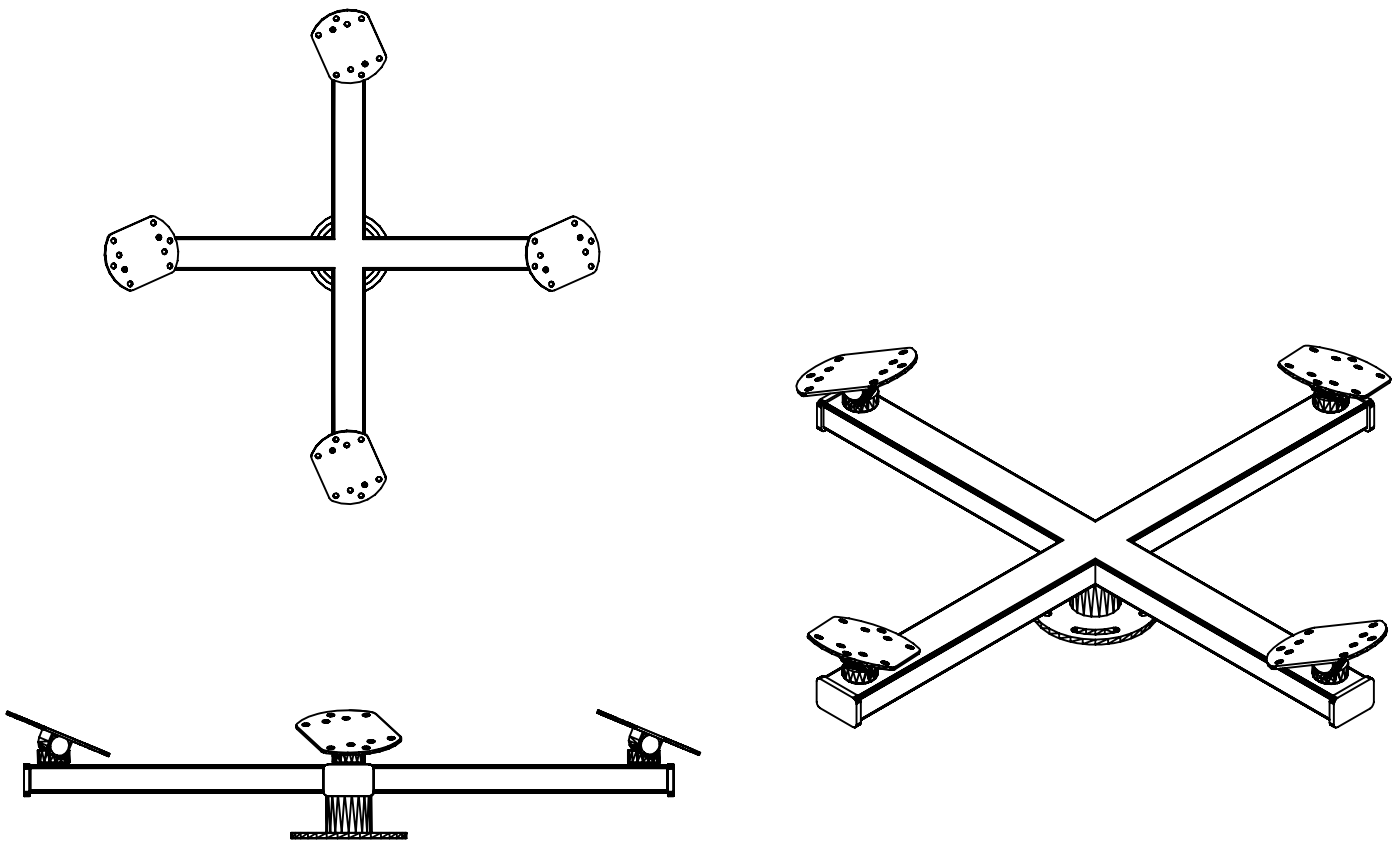
PART No.
FCA4 (To mount 4 housing)
4 Way Fixed Camera Adaptor

Product:

The CTE 4 way fixed camera adaptor FCA4 is used as a bolt on adaptor for all our pole and tower range. The bracket bolts to the top of our pole / tower range using four No. M6 tapped holes fitted with 25mm long A2 stainless set screws provided on our pole / tower before despatch. The swivel mounts are fully adjustable to obtain the perfect camera position. The swivel mounts to rotates through 360° and tilts to front / rear approx 90° either way. The product is supplied in a fully galvanised finish for maximum weather resistance and low maintenance.

Basic Dimensions:

Bracket arm section 50 x 30 x 3mm RHS. Total camera arm length 350mm (camera arms equally spaced at 90°). Standard 101.6 PCD base for mounting to CTE poles / towers. Top mounting plate consists of a series of holes for 101.6 PCD fixed housings (other popular manufacturers footprints are included). All camera arm ends are capped off with plastic bungs for weather protection.



**MANY ITEMS ARE IN STOCK PLEASE CALL
FOR UP TO DATE AVAILABILTY AND PRICES**



Camera Tower Engineering Ltd
Cotton Hall Street
Darwen, Lancs.
BB3 0DW

Tel: 01254 701666 Fax: 01254 701888
Email: sales@camera-towers.com
Web: www.camera-towers.com